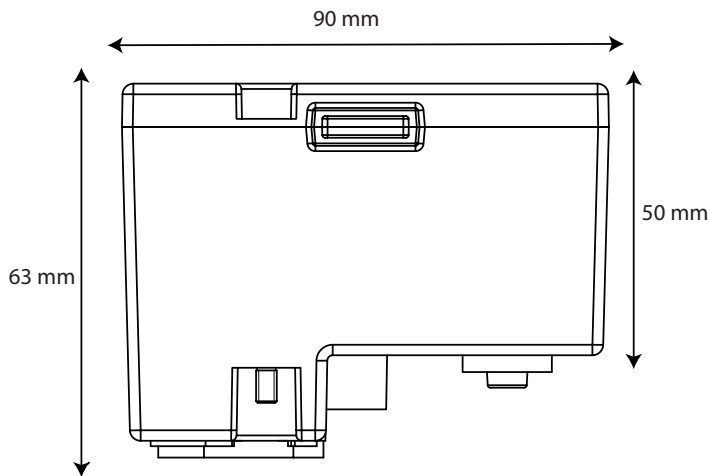


# VESDA Filter Cartridge

VSP-005 & VSP-025



The VESDA replacement filter cartridge (VSP-005 for single units and VSP-025 for a pack of 20) is used to replace filter cartridges in VESDA VLC, VLF, VLP and VLS detectors.



## Features

- Easy swap replacement filter
- Fits VLC, VLF, VLP and VLS VESDA detectors
- Available singly or in packs of 20
- Two Stage Filtration
  - First stage removes particles in excess of 20 microns
  - Second stage is ultra-fine and removes more than 99% of particles of 0.3 microns or larger to provide a clean air barrier for optics protection

## Dimensions

90 mm x 63 mm x 30 mm  
(3.5 in. x 2.5 in. x 1.2 in.)

## Ordering Information

VSP-005	Single cartridge
VSP-025	Pack of 20 cartridges

[www.xtralis.com](http://www.xtralis.com)

**UK and Europe** +44 1442 242 330 **The Americas** +1 800 229 4434

**Middle East** +962 6 588 5622 **Asia** +86 21 5240 0077 **Australia and New Zealand** +61 3 9936 7000

The contents of this document are provided on an "as is" basis. No representation or warranty (either express or implied) is made as to the completeness, accuracy or reliability of the contents of this document. The manufacturer reserves the right to change designs or specifications without obligation and without further notice. Except as otherwise provided, all warranties, express or implied, including without limitation any implied warranties of merchantability and fitness for a particular purpose are expressly excluded.

Xtralis, the Xtralis logo, The Sooner You Know, VESDA-E, VESDA, ICAM, ECO, OSID, HeiTel, ADPRO, IntrusionTrace, LoiterTrace, ClientTrace, SmokeTrace, XOa, XOh, iTrace, iCommand, iRespond, iCommission, iPIR, and FMST are trademarks and/or registered trademarks of Xtralis and/or its subsidiaries in the United States and/or other countries. Other brand names mentioned herein are for identification purposes only and may be trademarks of their respective holder(s). Your use of this document does not constitute or create a licence or any other right to use the name and/or trademark and/or label. This document is subject to copyright owned by Xtralis. You agree not to copy, communicate to the public, adapt, distribute, transfer, sell, modify or publish any contents of this document without the express prior written consent of Xtralis.

Doc. no. 13996\_02

Part No. 29814

**VESDA**<sup>®</sup>  
by  **xtralis**<sup>®</sup>